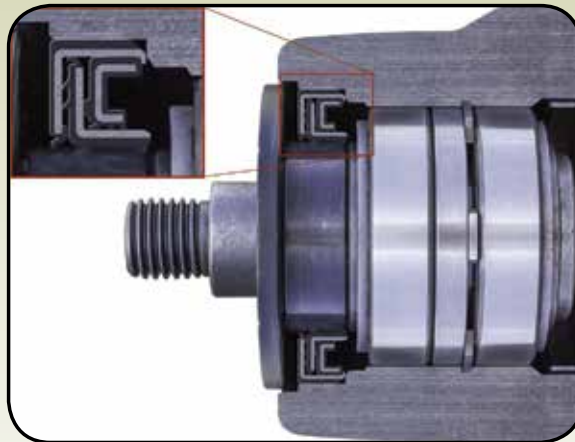


# Features & Benefits



**WALKING TANDEM** – Provide excellent flotation and safe, reliable road transport.

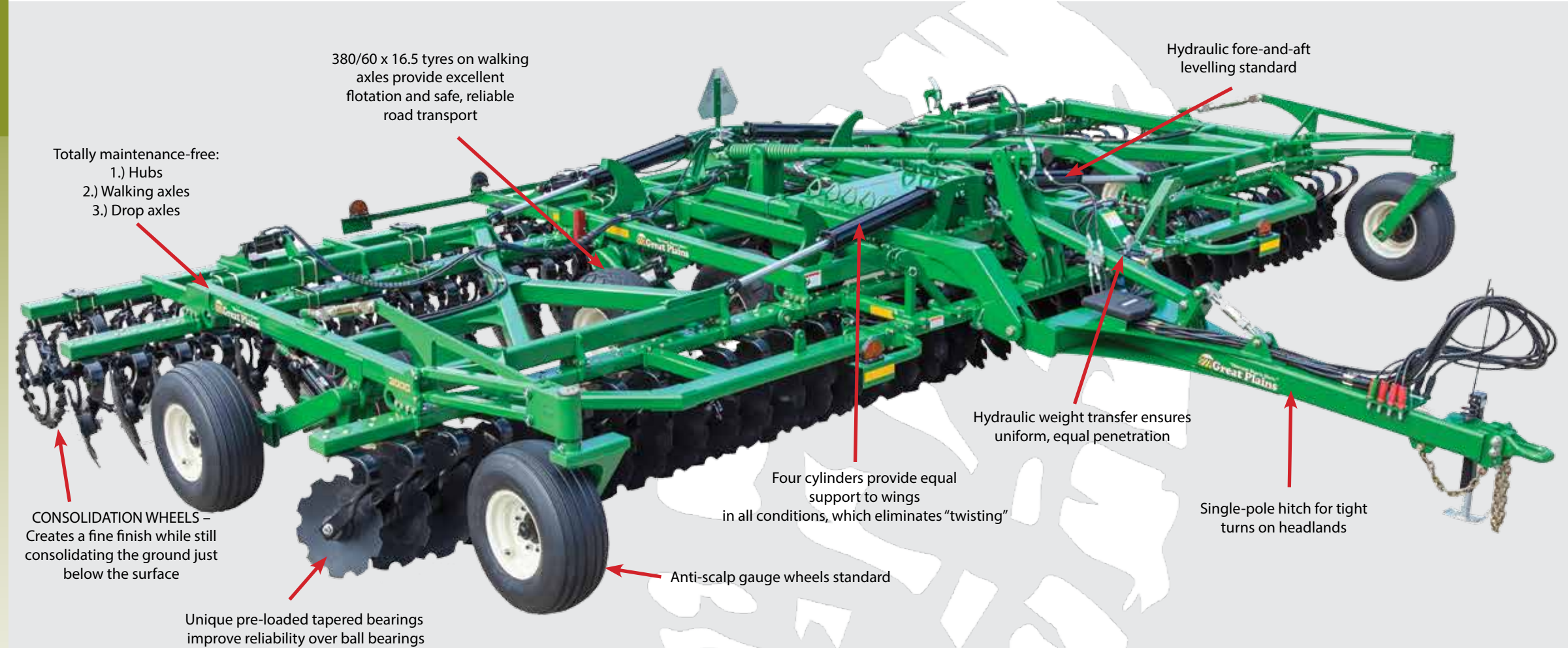


**LARGE SEALED BEARINGS** – Unique preloaded tapered bearings improve reliability over ball bearings.



**INDIVIDUAL DISC MOUNTS** – Offer more space between discs for excellent trash flow and better performance in wet conditions.

## Short Disk



MODEL INFO	Short Disk: Primary tillage		
MODELS	SD2600	SD3000	SD3300
WORKING WIDTH	8	9	10
TRANSPORT HEIGHT	4,2	4,4	4,4
TRANSPORT WIDTH	4,7	4,7	5,7
BLADE SPACING	0,25	0,25	0,25
NO OF BLADES	66	74	82
KW REQUIREMENTS	224 - 300	260 - 335	300-373



### More about the Short Disk

The innovative Great Plains Short Disk™ combines European-style parallel gangs with the demands of rugged North American terrain to provide a consistent, high-speed primary tillage tool.

While traditional short disks are equipped with 46 – 51 cm diameter disc blades, the aggressive Short Disk is designed to endure high-residue field conditions with 61 cm diameter discs to cut the ground up to 18 cm deep, maximizing trash flow and leaving a smooth finish on both the top and bottom.



Contact us for more information: 086 111 3692

Marius Tolmay ▶ 083-581-5709 ▶ info@agriafrika.co.za  
 Mauritz Maree ▶ 071-148-3664 ▶ Delmas  
 Johan Roestof ▶ 079-526-1381 ▶ Delmas / Noordwes  
 Wessel Pretorius ▶ 072-370-8389 ▶ Bethlehem

Leonard Kennedy ▶ 082-388-1966 ▶ Kaap  
 Gerrie Wagenaar ▶ 083-627-7260 ▶ Hoopstad  
 Technical ▶ Rudolph Marx ▶ 071-682-8018  
 Technical ▶ Louis Smit ▶ 076-851-3360

